

# LION

SOLAR POWER & LIGHTING



## SOLAR LED STREET LIGHT

### PROGRAMMABLE

Smart solar controller built-in, power brightness and lighting time are adjustable via remote controller.

### MICROWAVE SENSOR

More area can be covered than PIR sensor, longer distance and wider sensitive angle, more stable than PIR.

### EXTERNAL SOLAR PANEL

Solar panel separated from light allows to increase power to meet the solar radiations in different latitude and longitude. Max 200W solar panel is allowed for 50W LED with 6200lm output.

### CONNECTION

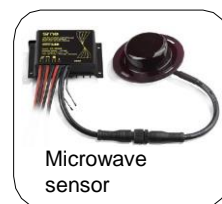
MC4 male & female plugs directly to 18V solar panel. quick and easy for connection. 2.5mm power cord for less voltage drop.

### COMPACT SYSTEM

Battery and solar controller, sensor are built-inside of light, only need to be connected to 18V system, NO more other operation, easy, simple and quick installation.



MC4 Connector



Microwave sensor



Lithium Battery



Philips SMD LED



REMOTE SETTING



MICROWAVE SENSOR



MC4 PLUG IN CONNECTION



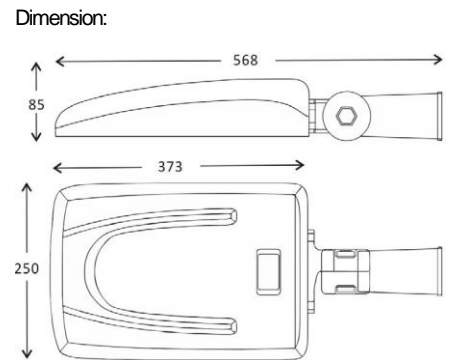
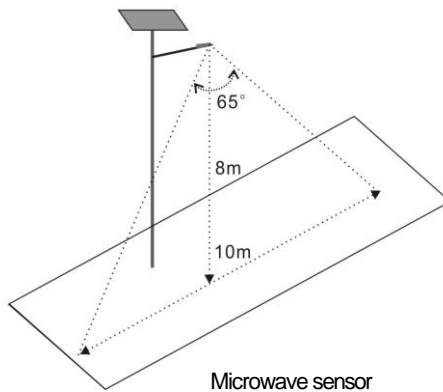
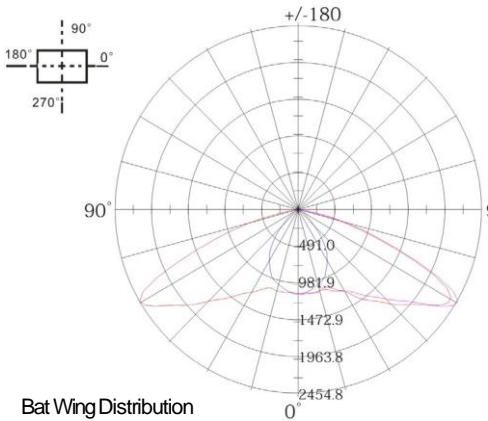
BATTERY INSIDE



12HRS/DAY  
130LMW



Light Distribution Curve [Unit: cd]



Unit: mm

Parameters						
Model	LION-U15W	LION-U20W	LION-U30W	LION-U40W	LION-U50W	LION-U50W
Rated Power	15W	20W	30W	40W	50W	50W
Beam angle	140*70degree	140*70degree	140*70degree	140*70degree	140*70degree	140*70degree
Luminous flux	>1900lm	>2800lm	>4200lm	>5500lm	>6200lm	>7200lm
Color Temp	2700K~6000K	2700K~6000K	2700K~6000K	2700K~6000K	2700K~6000K	2700K~6000K
CRI	>82	>82	>82	>84	>84	>84
LED Brand & Qty	Philips 72Pcs	Philips 72Pcs	Philips 72Pcs	Philips 72Pcs	Philips 72Pcs	Philips 72Pcs
IP Rating	IP67	IP67	IP67	IP67	IP67	IP67
Battery capacity	195WH 11.1V	293WH 11.1V	391WH 11.1V	488WH 11.1V	548WH 11.1V	635WH 11.1V
Battery lifetime	1000Cycles	1000Cycles	1000Cycles	1000Cycles	1000Cycles	1000Cycles
Charging mode	PWM	PWM	MPPT	MPPT	MPPT	MPPT
Solar panel						
Voltage of PV	18VDC	18VDC	18VDC	18VDC	18VDC	18VDC
Power of PV	45W	60W	80W	90W	100W	120W
Cell of PV	MONO Cell	MONO Cell	MONO Cell	MONO Cell	MONO Cell	MONO Cell
Pole height	3m~5m	3m~6m	4m~8m	5m~8m	5m~8m	5m~8m



Bug Free



No Mercury



Bright Color



Long Lifetime



Low Wattage



Energy Saving



Eco Friendly