

LION

SOLAR POWER & LIGHTING



SOLAR LED FLOOD LIGHT

ENERGY SAVING

Energy saving by 100% less power consumption than traditional flood light, endless power generated from sun. Pure green.

HIGH LUMENS

Adopting 72pcs of Philips 1W SMD LED, driving by lower current, achieve more than 150lm/W as practical lumens output.

IP67 WATERPROOF

Designed based on water flow idea, with round corner, screws are sealed by rubber cover, fixtures are fixed tightly and properly, IP67 waterproof standard.

FAST CONNECTION

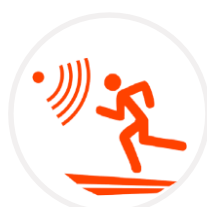
MC4 male & female plugs directly to 18V solar panel. quick and easy for connection. 2.5mm² power cord for less voltage drop.

COMPACT SYSTEM

Battery and solar controller are built-inside of light, user only need to plug solar panel and solar light to complete the whole system. Much easier and simple than traditional solar led flood light.



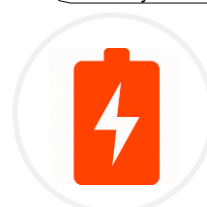
REMOTE SETTING



MICROWAVE SENSOR



MC4 PLUG IN CONNECTION



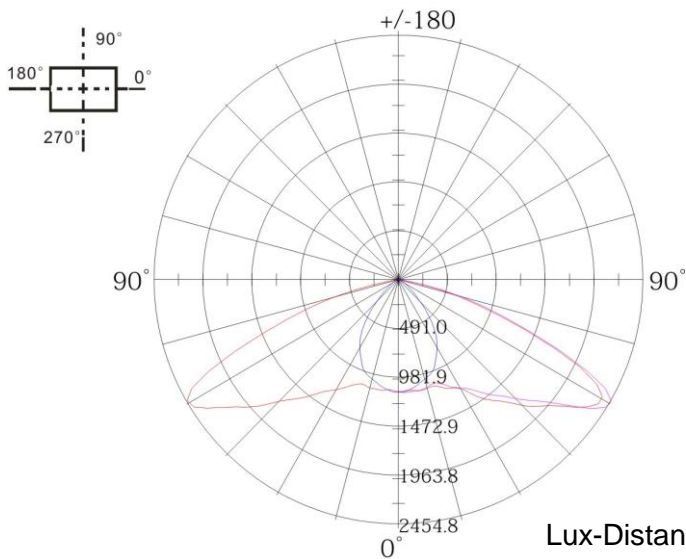
BATTERY INSIDE



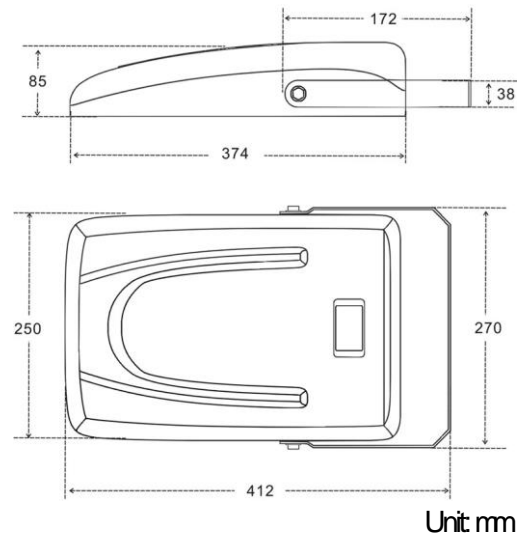
12HRS/DAY
130LM/W



Light Distribution Curve [Unit: cd]



Dimension:



Unit: mm

Parameters				
Model	LION-S15W	LION-S20W	LION-S30W	LION-S50W
Rated Power	15W	20W	30W	50W
Beam angle	140*70degree	140*70degree	140*70degree	140*70degree
Luminous flux	>1900lm	>2800lm	>4200lm	>6100lm
Color Temp	2700K~6000K	2700K~6000K	2700K~6000K	2700K~6000K
CRI	>82	>82	>82	>84
LED	Philips 72Pcs 1W	Philips 72Pcs 1W	Philips 72Pcs 1W	Philips 72Pcs 1W
IP Rating	IP67	IP67	IP67	IP67
Battery capacity	192WH 12V	312WH 12V	432WH 12V	680WH 12V
Battery lifetime	1000Cycles	1000Cycles	1000Cycles	1000Cycles
Charging mode	PWM	PWM	MPPT	MPPT
Solar panel				
Voltage of PV	18VDC	18VDC	18VDC	18VDC
Power of PV	45W	60W	80W	150W
Cell of PV	MONO Cell	MONO Cell	MONO Cell	MONO Cell